

CSABA TOUCH-FREE DECK MOUNTED FAUCET

SPECIFICATIONS

Touch-free deck-mounted electronic faucet. For cold or premixed water. Chrome plated body, other finishes available. Activated by concealed sensor built into the spout. Filter included. Sensor includes a low battery indicator. Adjustable settings by remote control: sensor range, security time, delay in, delay out, on-off and reset to factory settings.

OPERATION

Touch-free electronic faucet. The faucet is automatically activated when users place their hands in the sensor range and stops when the users remove their hands.

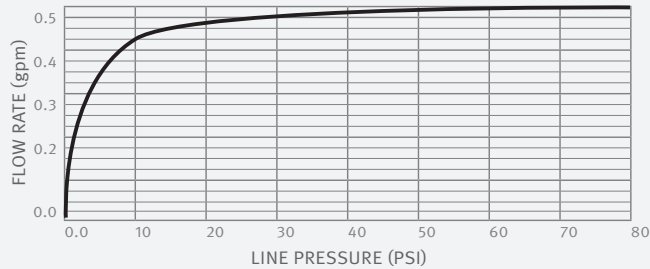
APPLICATION

Combining an elegant design with vandal-resistant features. Easy installation. Long lasting even in the harshest installation sites. Helps washrooms stay clean and saves water. Prevents cross contamination. Ideal for offices, hotels and restaurants.

PRODUCT AT A GLANCE

Installation	Deck mounted
Power Supply Options	<ul style="list-style-type: none"> IP67 Dual power input box with a 9V battery (battery not included) IP67 Dual power input box with a 9V transformer
Operating pressure	0.5 - 8.0 BAR (7 - 116 PSI). With a pressure over 8 bar, use a pressure reducing valve.
Water supply	Cold or premixed water
Water Saving options	4 LPM / 1.0 GPM - PCA spray
Water temperature	70°C Maximum
Security Time	Auto shutoff after 90 seconds. adjustable by remote control

FLOW RATE vs PRESSURE



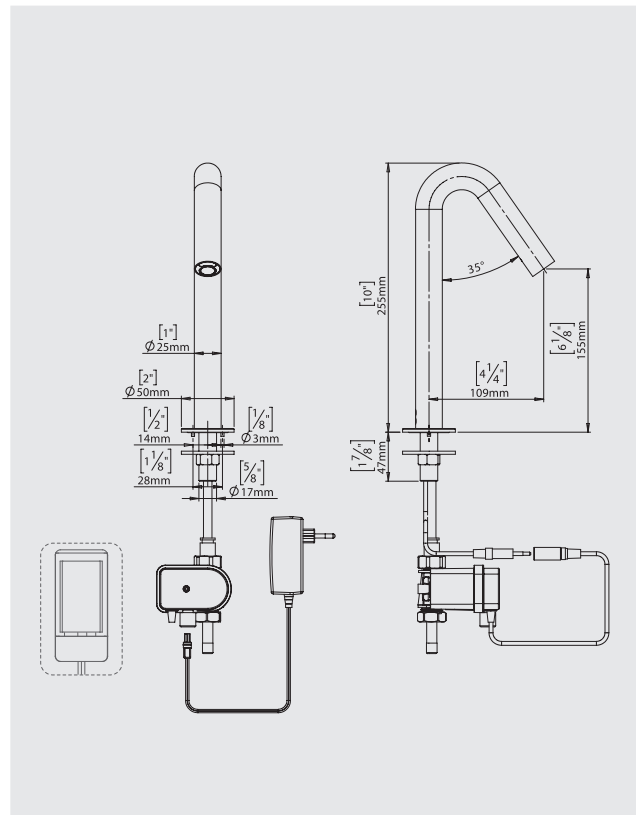
This graph applies to 0.5 GPM option only.

ORDERING INFORMATION

MODER	CODE	POWER
Csaba B	233000	IP67 Dual power input box with a 9V battery (battery not included)
Csaba E	233010	IP67 Dual power input box with a 9V transformer

OPTIONS

OPTION	CODE
Remote Control	0710005



stern
STERN ENGINEERING LTD.

ADVANTAGES



LEED RATING



SOAP AND WATER



GERM FREE



ADJUSTABLE SETTINGS



LEAD FREE



EASY TO INSTALL

777 Passaic Avenue
Clifton NJ, 07012
USA: sternusa@sternfaucets.com
International: info@sternfaucets.com
Toll Free: 1-800-4364410
www.sternfaucets.com