

# APOLLO MEDICAL

## TOUCH-FREE ELECTRONIC WALL-MOUNTED FAUCET

### SPECIFICATIONS

Touch-free wall-mounted electronic faucet. With a mixer for water temperature adjustment for hot and cold water. Swivel Spout. Powered by an internal 9V battery. Battery version includes a low battery level indicator. Latching solenoid valve is located inside the product. Auto shutoff after 90 seconds. Adjustable settings by remote control: security time, delay in, delay out, on-off and reset to factory settings.

### OPERATION

Touch-free electronic faucet. The faucet is automatically activated when users place their hands in the sensor range and stops when users move away from the sensor range.

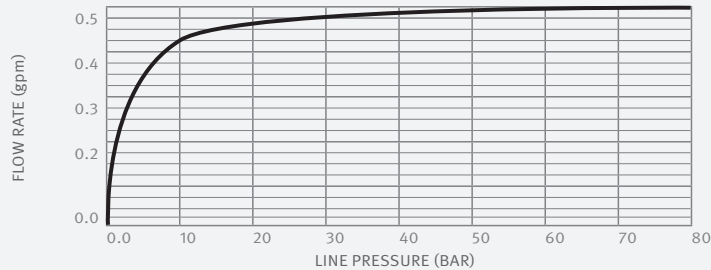
### APPLICATION

Touch-free faucet. Enables patients and medical personnel to wash hands without touching the faucet. Prevents cross contamination. Helps washrooms to stay cleaner. Ideal for hospitals, laboratories, dental clinics and commercial kitchens.

### PRODUCT AT A GLANCE

Installation	Exposed wall-mounted
Power Supply	<ul style="list-style-type: none"> <li>• 9V battery</li> <li>• 9V transformer</li> </ul>
Operating pressure	0.5-8.0 bar / 7.0-116.0 PSI
Water supply	Hot and cold water
Water flow	6 LPM / 1.58 GPM - SSR PCA stream
Water Saving Options	4 LPM / 1 GPM ; 3 LPM / 0.8 GPM 1.89 LPM / 0.5 GPM ; 1.3 LPM 0.35 GPM - PCA spray
Water temperature	70°C Maximum
Security Time	90 seconds. Adjustable by remote control

FLOW RATE vs PRESSURE

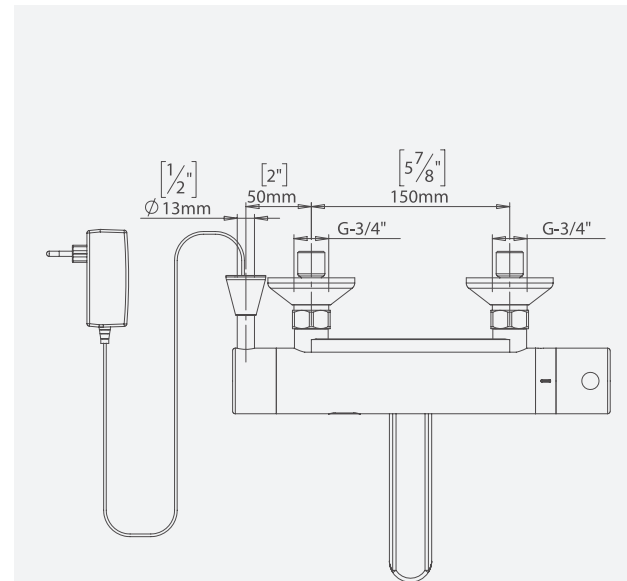


### ORDERING INFORMATION

MODEL	CODE	POWER	ADDITIONAL FEATURES
APOLLO MEDICAL B	340500	9V battery	Exposed installation Swivel spout
APOLLO MEDICAL E	340510	9V transformer	Mixer for water temperature adjustment

### OPTIONS

OPTION	CODE
Remote control	07100005



### ADVANTAGES



OPTIONAL HYGIENE FLUSH



APPROVALS



COMPLIES TO ASME A112.18.1/CSA B125.1

777 Passaic Avenue  
Clifton NJ, 07012  
USA: sternusa@sternfaucets.com  
International: info@sternfaucets.com  
Toll Free: 1-800-4364410  
www.sternfaucets.com