

MEDICAL 1000 T

TOUCH-FREE ELECTRONIC WALL-MOUNTED FAUCET

SPECIFICATIONS

Touch-free electronic wall-mounted faucet with a mixer for water temperature control. Powered by an internal 9V battery or a 9V transformer. Battery version includes a low battery level indicator. Latching solenoid valve is located inside the product. The faucet will automatically shut off after running for more than 90 seconds. Adjustable settings by remote control: Adjustable settings by remote control: Sensor range, Security time, Delay In, Delay Out and On-Off. 24 hour mandatory hygiene flush option can be provided upon request.

OPERATION

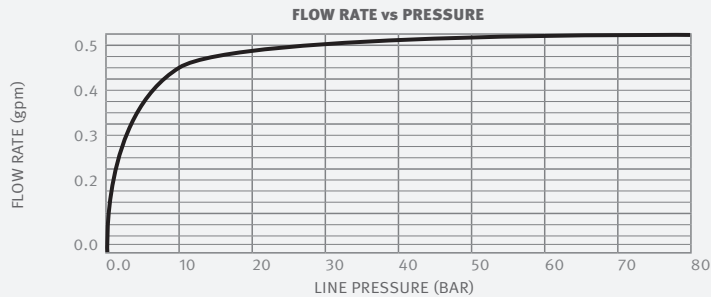
Touch-free electronic faucet operated by an infrared sensor. The faucet automatically activates when users place their hands within sensor range and stops when they remove them from the sensor range.

APPLICATION

Wall-mounted faucet combining an elegant design with anti-vandal features. Helps washrooms cleanliness, saves water and prevents cross contamination. The Classic line is long lasting even in the harshest installation sites. Ideal for hospitals, laboratories, medical clinics and commercial kitchens.

PRODUCT AT A GLANCE

Installation	Wall-mounted
Power Supply	<ul style="list-style-type: none"> Internal 9V battery 9V transformer
Operating pressure	0.5-8.0 bar / 7.0-116.0 PSI For greater water pressure please use a pressure reducing valve
Water supply	Hot and cold water
Water flow	6 LPM / 1.58 GPM - SSR PCA stream
Water Saving Options	4 LPM / 1 GPM ; 3 LPM / 0.8 GPM 1.89 LPM / 0.5 GPM ; 1.3 LPM 0.35 GPM - PCA spray
Water temperature	70°C Maximum
Security Time	Auto shutoff after 90 seconds. adjustable by remote control

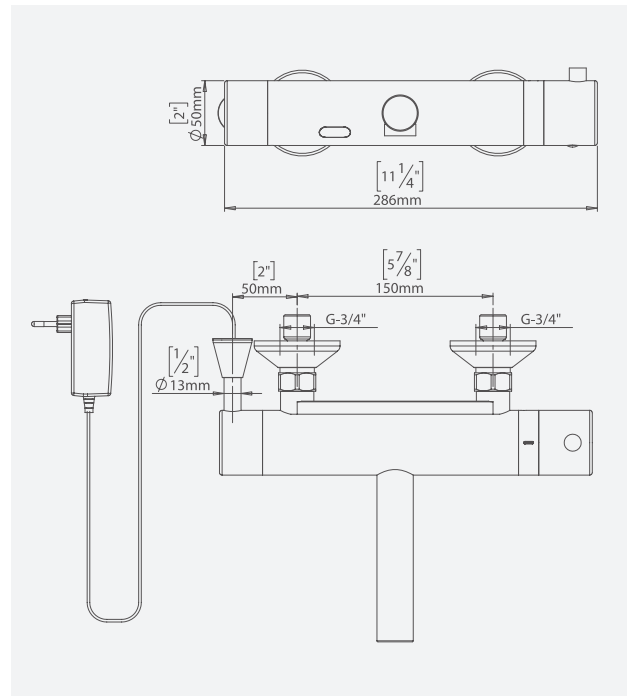


ORDERING INFORMATION

MODEL	CODE	POWER	ADDITIONAL FEATURES
MEDICAL 1000 T	314600	9V battery	Exposed installation
MEDICAL 1000TE	314600	9V transformer	Body-integrated spout

OPTIONS

OPTION	CODE
Remote control	07100005



ADVANTAGES



APPROVALS



777 Passaic Avenue
Clifton NJ, 07012
USA: sternusa@sternfaucets.com
International: info@sternfaucets.com
Toll Free: 1-800-4364410
www.sternfaucets.com