

CLASSIC TOUCH-FREE ELECTRONIC LAVATORY FAUCET

SPECIFICATIONS

Touch-free electronic lavatory faucet, activated by an infrared sensor. For cold or premixed water. Available with an external 9V battery or a 9V transformer. Filters included. One piece solid brass body for added vandal resistance. AB 1953 lead free. Sensor range is adjustable manually and by remote control. Other sensor settings (delay in, delay out, security time) can also be adjusted by remote control. The faucet will automatically shut off after 90 seconds of use. Includes a low battery level indicator.

OPERATION

Touch-free electronic faucet operated by an infrared sensor. The faucet automatically activates when users place their hands within sensor range and stops when they remove them from the sensor range.

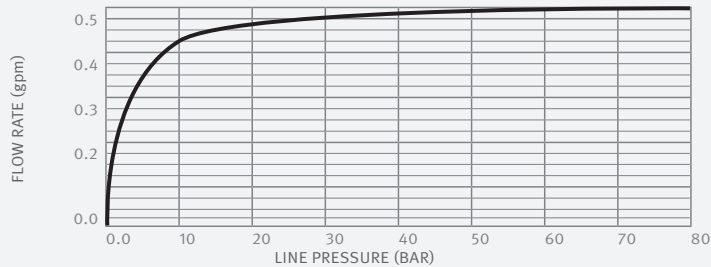
APPLICATION

Deck-mounted faucet combining an elegant design with anti-vandal features. Helps washrooms cleanliness, saves water and prevents cross contamination. The Classic line is long lasting even in the harshest installation sites. Ideal for transportation hubs, train and bus stations, highway rest stops and stadiums.

PRODUCT AT A GLANCE

Installation	Deck-mounted
Power Supply	• 9V battery • 9V internal battery • 9V transformer
Operating pressure	0.5-8.0 bar / 7.0-116.0 PSI For greater water pressure please use a pressure reducing valve
Water supply	Cold or premixed water
Water flow	6 LPM / 1.58 GPM - SSR PCA stream
Water Saving Options	4 LPM / 1 GPM ; 3 LPM / 0.8 GPM 1.89 LPM / 0.5 GPM ; 1.3 LPM 0.35 GPM - PCA spray
Water temperature	70°C Maximum
Security Time	Auto shutoff after 90 seconds. adjustable by remote control

FLOW RATE vs PRESSURE

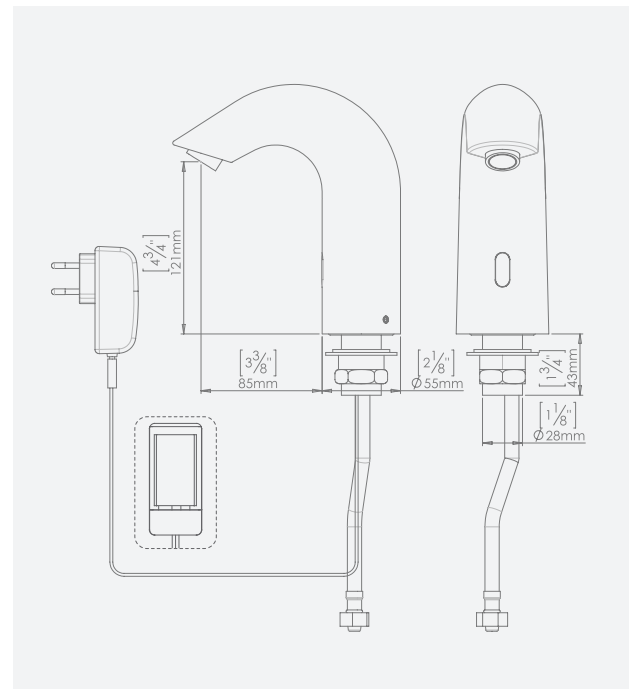


ORDERING INFORMATION

MODEL	CODE	POWER	ADDITIONAL FEATURES
CLASSIC	291010	9V internal battery	AB 1953 Lead Free
CLASSIC B	250310	9V battery	
CLASSIC E	250420	9V transformer	

OPTIONS

OPTION	CODE
Remote control	07100005
Matching battery-powered soap dispenser	292400
Matching transformer-powered soap dispenser combination	292410



ADVANTAGES



LEED RATING



OPTIONAL HYGIENE FLUSH



ROBUST BRASS BODY



ADJUSTABLE SETTINGS



EASY TO INSTALL

APPROVALS



ADA DESIGNED



LEED FREE

777 Passaic Avenue
Clifton NJ, 07012
USA: sternusa@sternfaucets.com
International: info@sternfaucets.com
Toll Free: 1-800-4364410

www.sternfaucets.com