

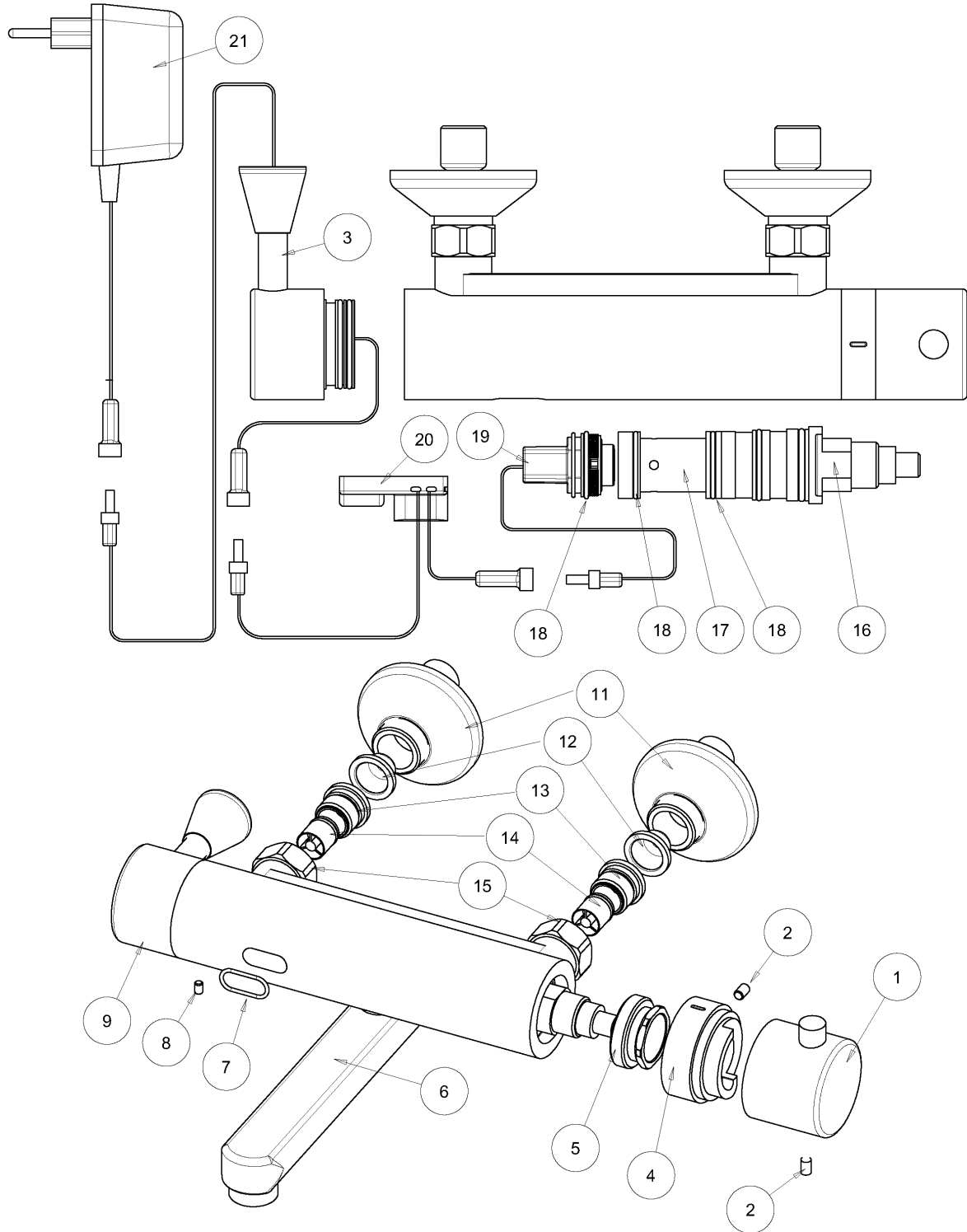
SPARE PARTS PRICE LISTS

APOLLO MEDICAL E

Spare parts can be obtained only by ordering the relevant kit. Spare parts cannot be ordered individually. In order to locate the relevant spare part, please check the corresponding part and part number at the drawing at the last page. When ordering spare parts (kits) please mention the corresponding catalog number (Cat. No.).

Quantity	Part Number	Description	Cat. No.
	-	Seals and Screws Kit	07210075
1	7	O-ring	04510193
2	9	O-ring	04510365
2	2	Screw	05010508
1	8	Screw	05010406
	-	Sensor Kit	07220203
1	20	Infra Red Sensor	08002232
1	7	O-ring	04510193
	-	Thermostatic Cartridge Kit	07240021
1	16	Thermostatic cartridge	07110014
1	17	Adapter	07045022
3	18	O-Ring	04510263
	1	Thermostatic Handle	07110018
	19	Stern Interoperable LS9V1.2WWPC1	07500065
	4	Adapter for Handle	07055067
	5	Nut for Thermostat	07055070
	6	Spout	07015035
	3	Cover Kit	07270079
	-	Inlet Nipple Kit	07246033
2	12	Flat filter	08530018
2	13	Nipple	07025020
2	14	Valve Check	08520011
2	15	Nut 3/4"	07099007
	21	Transformer	06522042

Apollo Medical E



Y.STERN ENGINEERING LTD.