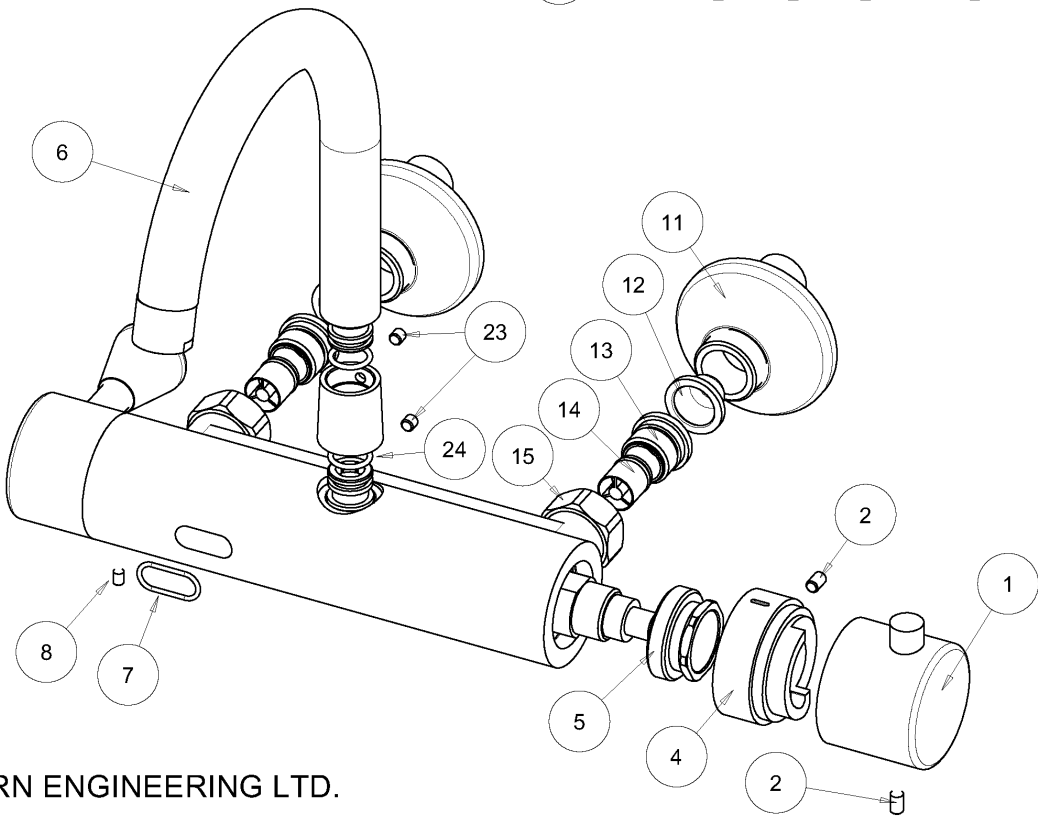
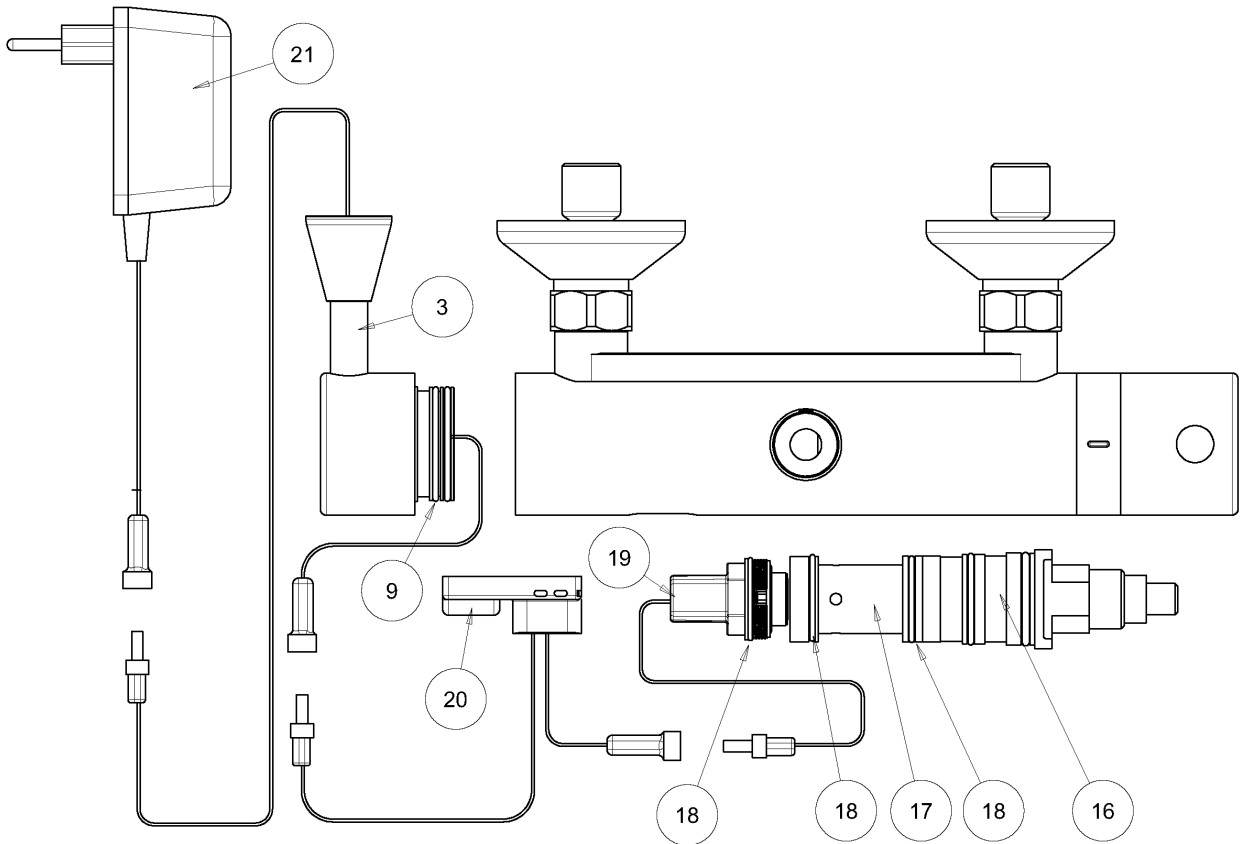


Spare parts can be obtained only by ordering the relevant kit. Spare parts cannot be ordered individually. In order to locate the relevant spare part, please check the corresponding part and part number at the drawing at the last page. When ordering spare parts (kits) please mention the corresponding catalog number (Cat. No.).

| Quantity | Part Number | Description                             | Cat. No.        |
|----------|-------------|---|-----------------|
|          | -           | <b>Seals and Screws Kit</b>             | <b>07210144</b> |
| 1        | 7           | O-ring                                  | 04510193        |
| 2        | 9           | O-ring                                  | 04510365        |
| 2        | 2           | Screw                                   | 05010508        |
| 1        | 8           | Screw                                   | 05010406        |
| 2        | 24          | O-ring                                  | 04510135        |
| 2        | 23          | Screw                                   | 05010505        |
|          | -           | <b>Sensor Kit</b>                       | <b>07220203</b> |
| 1        | 20          | Infra Red Sensor                        | 08002232        |
| 1        | 7           | O-ring                                  | 04510193        |
|          | -           | <b>Thermostatic Cartridge Kit</b>       | <b>07240021</b> |
| 1        | 16          | Thermostatic cartridge                  | 07110014        |
| 1        | 17          | Adapter                                 | 07045022        |
| 3        | 18          | O-Ring                                  | 04510263        |
|          | <b>1</b>    | <b>Thermostatic Handle</b>              | <b>07110018</b> |
|          | <b>19</b>   | <b>Stern Interoperable LS9V1.2WWPC1</b> | <b>07500065</b> |
|          | <b>4</b>    | <b>Adapter for Handle</b>               | <b>07055067</b> |
|          | <b>5</b>    | <b>Nut for Thermostat</b>               | <b>07055070</b> |
|          | <b>6</b>    | <b>Spout</b>                            | <b>07015006</b> |
|          | <b>3</b>    | <b>Cover Kit</b>                        | <b>07270079</b> |
|          | -           | <b>Inlet Nipple Kit</b>                 | <b>07246033</b> |
| 2        | 12          | Flat filter                             | 08530018        |
| 2        | 13          | Nipple                                  | 07025020        |
| 2        | 14          | Valve Check                             | 08520011        |
| 2        | 15          | Nut 3/4"                                | 07099007        |
|          | <b>21</b>   | <b>Transformer</b>                      | <b>06522042</b> |

# Apollo Medical FE



Y.STERN ENGINEERING LTD.