

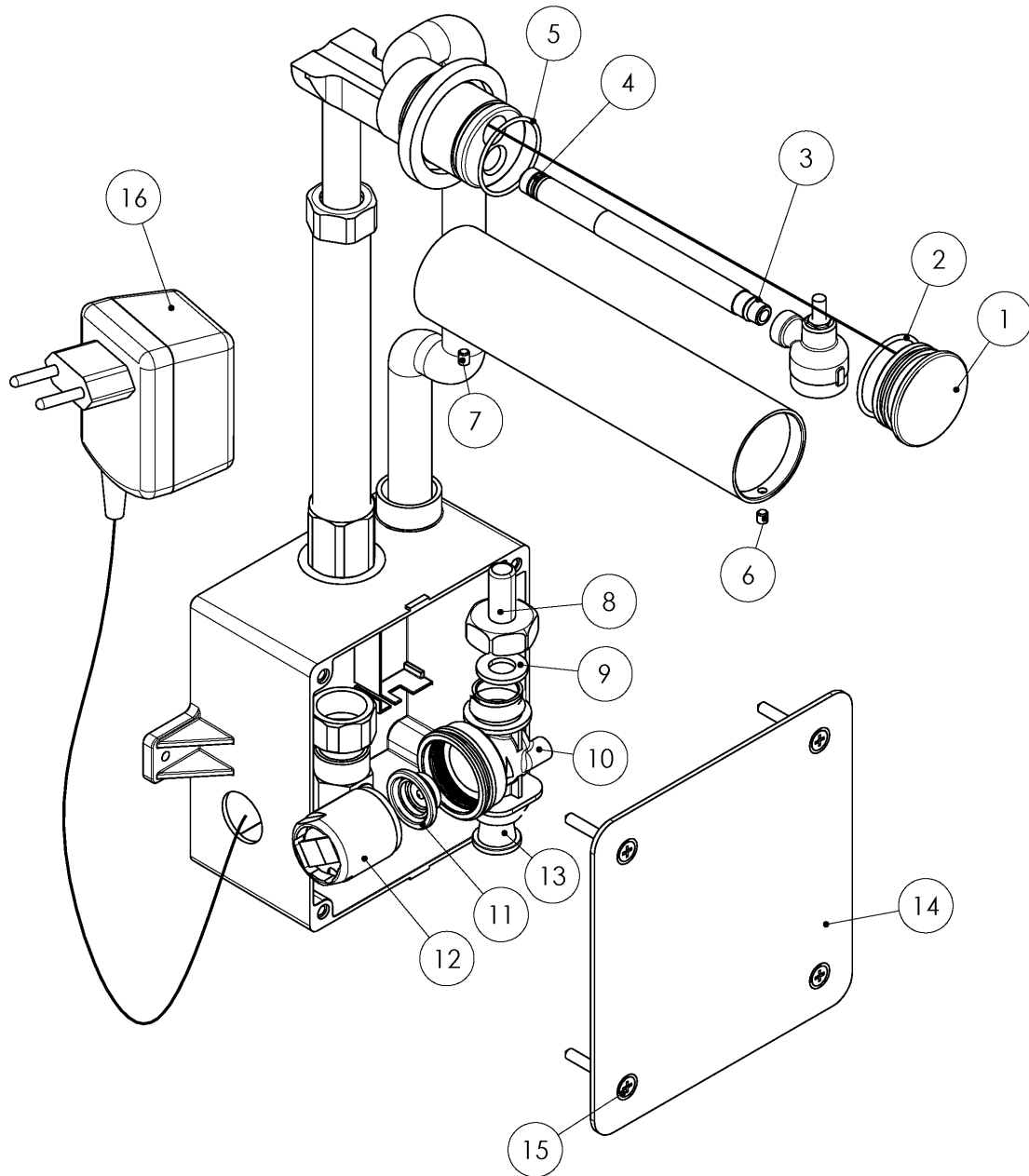
## SPARE PARTS PRICE LISTS

## TUBULAR TOUCH 2030E

Spare parts can be obtained only by ordering the relevant kit. Spare parts cannot be ordered individually. In order to locate the relevant spare part, please check the corresponding part and part number at the drawing at the last page. When ordering spare parts (kits) please mention the corresponding catalog number (Cat. No.).

| Quantity                    | Part Number            | Description           | Cat. No.        |
|-----------------------------|------------------------|-----------------------|-----------------|
| <b>Seals and Screws Kit</b> |                        |                       | <b>07210094</b> |
| 2                           | 2                      | O-ring                | 04510297        |
| 1                           | 3                      | O-ring                | 04510001        |
| 2                           | 4                      | O-ring                | 04510070        |
| 1                           | 6                      | Screw                 | 05010404        |
| 1                           | 7                      | Screw                 | 05010405        |
| 4                           | 15                     | Screw                 | 05060212        |
| <b>Panel Kit</b>            |                        |                       | <b>07210137</b> |
| 1                           | 14                     | Panel                 | 07040099        |
| 4                           | 15                     | Screw                 | 05060212        |
| <b>1</b>                    | <b>Piezo Cover Kit</b> |                       | <b>07270042</b> |
| <b>Solenoid Valve Kit</b>   |                        |                       | <b>07231010</b> |
| 1                           | 12                     | Solenoid              | 07500025        |
| 1                           | 11                     | Diaphragm             | 04500001        |
| 1                           | 10                     | Solenoid valve's body | 07502019        |
| 1                           | 13                     | Filter                | 08530013        |
| <b>Nipple Kit</b>           |                        |                       | <b>07246002</b> |
| 1                           | 8                      | Nipple                | 07025051        |
| 1                           | 9                      | Gasket                | 04521903        |
| <b>11</b>                   | <b>Diaphragm</b>       |                       | <b>04500001</b> |
| <b>13</b>                   | <b>Filter</b>          |                       | <b>08530011</b> |
| <b>16</b>                   | <b>Transformer</b>     |                       | <b>06522042</b> |

# Tubular Touch 2030E



Y.STERN ENGINEERING LTD.