

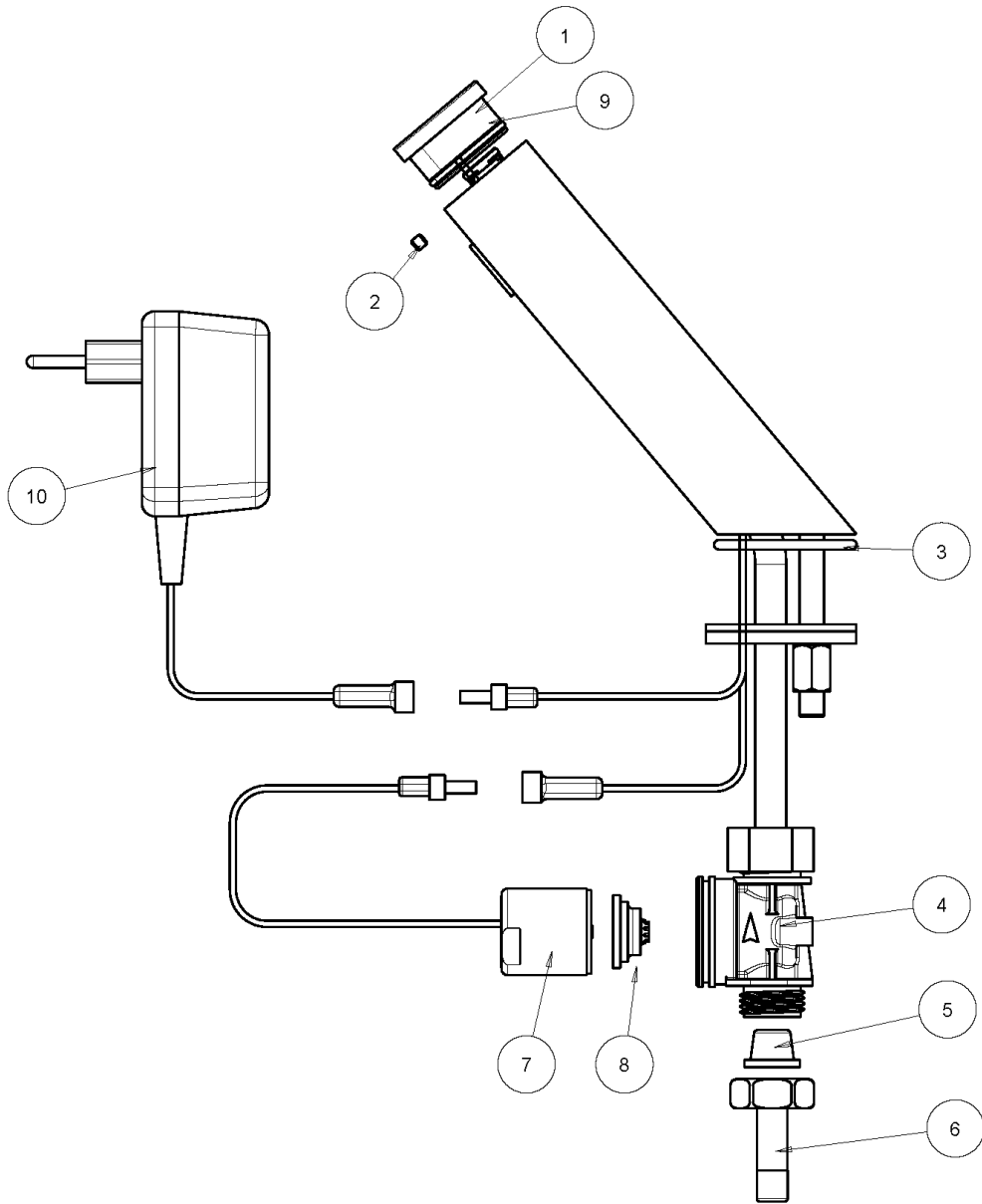
## SPARE PARTS PRICE LISTS

## TOUCH E

Spare parts can be obtained only by ordering the relevant kit. Spare parts cannot be ordered individually. In order to locate the relevant spare part, please check the corresponding part and part number at the drawing at the last page. When ordering spare parts (kits) please mention the corresponding catalog number (Cat. No.).

Quantity	Part Number	Description	Cat. No.
	-	<b>Seals and Screws Kit</b>	<b>07210081</b>
1	2	Screw	05010404
1	3	O-ring	04510296
1	9	O-ring	04510283
	<b>1</b>	<b>Piezo Cover Kit</b>	<b>07270031</b>
	-	<b>Solenoid BS-Housing Kit/ Solenoid BS-Housing Kit USA</b>	<b>07231008/ 07231009</b>
1	4	Solenoid valve's body	07502019
1	5	Filter	08530013
1	6	Nipple	07025015/ 07025078
	-	<b>Solenoid Valve Kit</b>	<b>07230017</b>
1	7	Solenoid valve	07500025
1	8	Diaphragm	04500001
	<b>8</b>	<b>Diaphragm</b>	<b>04500001</b>
	<b>10</b>	<b>9V Transformer</b>	<b>06522042</b>

# Touch E



Y.STERN ENGINEERING LTD.